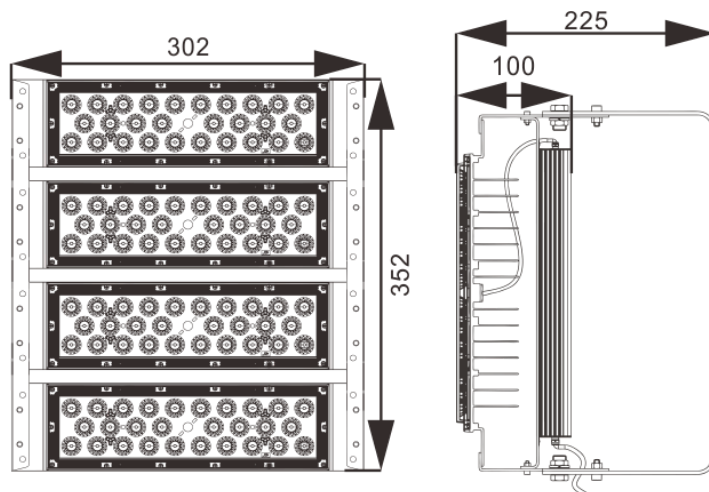


# INDUSTRIAL LIGHTING

## KVP-LP-504



karjalanvalaistuspalvelu.fi | info@karjalanvalaistuspalvelu.fi | 040 900 6950



Rugged, long-lasting LED lighting fixtures that withstand harsh environmental conditions. The modular design is very easy to maintain and has reliable heat dissipation. With superior optical lenses, this light can emit bright and uniform light, improving visibility and safety.

### GENERAL DATA

Luminaire type	Highbay
Installation	Suspended, surfaced
Environment	Indoor, outdoor
Housing material	AL6063-T5
Optical material	Polycarbonate (PC)
Finish color	Silver / black
Standard	CE
IP rating	IP 66
Beam angle	25°, 40°, 60°, 90°, 145x100°, 150°
Operating	-40°C~50°C
Dimensions (LxWxH)	302 x 352 x 225 mm
Net weight	5.2 kg
Warranty	5 years

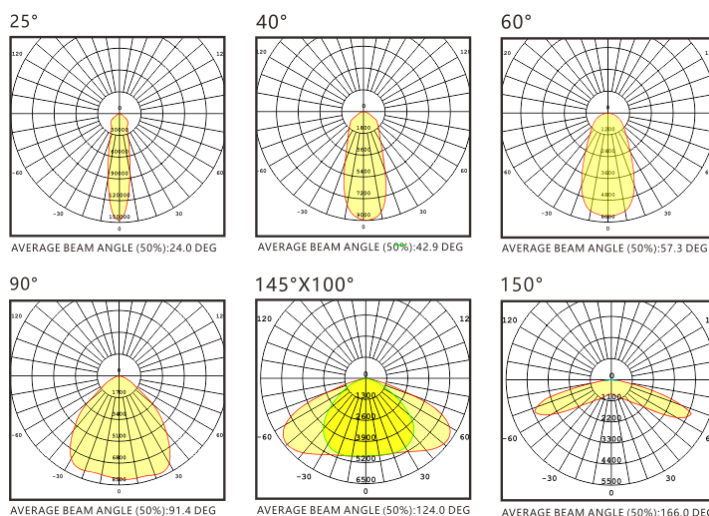


### ELECTRICAL DATA

Power	200W
Input volt	AC 90-305V, 50/60Hz
Connections	Live, Earth, Neutral
Class	I, must be earthed
Lifespan	50 000 hrs

### LIGHTING DATA

Luminous flux	31 000 lm
Efficiency	155 Lm/W
LED color	3000K / 4000K / 5000K / 6000K
Color rendering index Ra	> 70



### APPLICATIONS

- workshops
- industrial buildings
- sports centers
- gas stations
- parking lots
- waiting rooms
- train stations
- harbors
- wharfs
- general lighting

### FEATURES

- Cooling duct design, reduced overall product weight and thermal performance reduce illumination reduction and extend service life.
- High efficiency constant current driver, with over-current, over-voltage, lightning, high temperature protection to fully guarantee the lifespan and stable performance.
- Fast response, no strobe, wide operating voltage range.
- Double 1W chips poly crystalline encapsulation, reduce deadlight rate.

The information is for your reference only, we reserve the right to make alterations in the interest of improving our products.