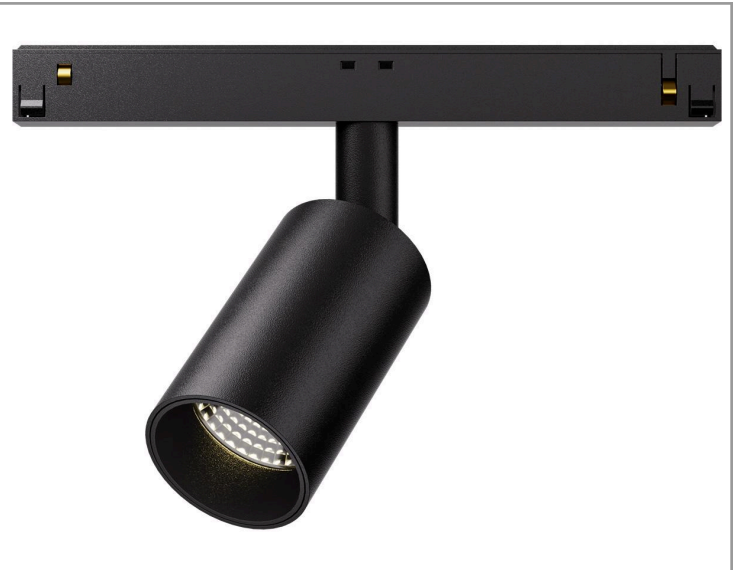
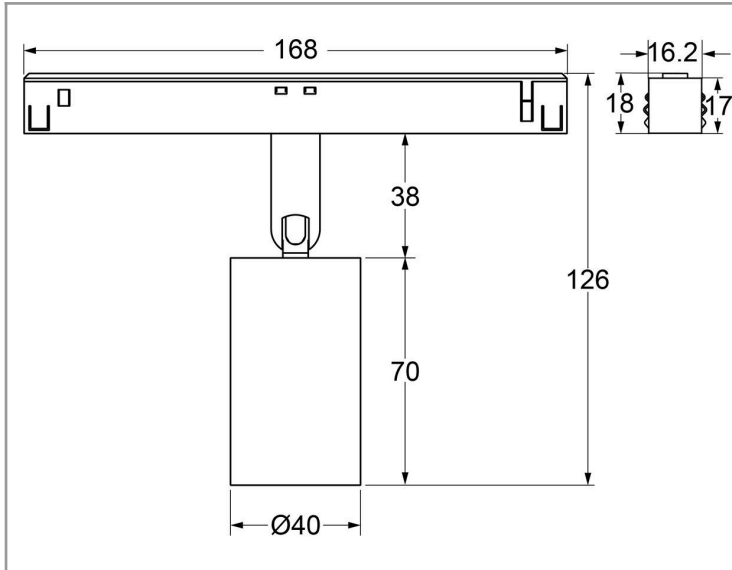


48V LOW VOLTAGE TRACK SYSTEM

KVP-TL01406T1-48V



karjalanvalaistuspalvelu.fi | info@karjalanvalaistuspalvelu.fi | 040 900 6950



SPECIFICATION	
Luminaire type	spotlight
Environment	indoor
Body material	aluminum
Finish color	matt black / white
Operating	-20 ~ +40°C
Dimensions	D 40 mm H 70 mm
Warranty	5 years
Beam angle	15° / 24° / 36° / 50°
Input volt	DC 48 V
Power	6 W
Lifespan	50 000 hrs

APPLICATIONS	FEATURES
<ul style="list-style-type: none"> ○ museums, art galleries, exhibition halls ○ stores and shops 	<ul style="list-style-type: none"> ○ magnetic 48 V low voltage track ○ art gallery level lighting ○ Casambi ready



- Low voltage products are very small in size and have a minimalistic look.
- Low voltage fixtures can be moved very easily and can be used in applications where lighting fixtures are accessible to people, without any risk.
- Low voltage tracks can be used for smart lighting, easy to control the whole system of all lights.

48V LOW VOLTAGE TRACK SYSTEM

KVP-TL01406T1-48V



karjalanvalaistuspalvelu.fi | info@karjalanvalaistuspalvelu.fi | 040 900 6950

Product code	Dimming	Luminosity	Color temperature	CRI
KVP-TL01406T1-48V DAB	DALI (Brightness only)	520	2700K / 3000K / 3500K / 4000K	97
KVP-TL01406T1-48V DAC	DALI	420	2700~5700K	90
KVP-TL01406T1-48V RFB	RF Remote (Brightness only)	520	2700K / 3000K / 3500K / 4000K	97
KVP-TL01406T1-48V RFC	RF Remote	420	2700~5700K	90
KVP-TL01406T1-48V CAB	Casambi (Brightness only)	520	2700K / 3000K / 3500K / 4000K	97
KVP-TL01406T1-48V CAC	Casambi	520	2700~5700K	90

T1 track system

Dimensions	Black / White 1, 1.5, 2 and 3 meter	Installation

T1 track accessories

Picture	Product code	Description
	LV26AC-HT1	T1 Horizontal L-Track Housing+ Connector HT1 Black / White
	LV26AC-VT1	T1 Vertical L-Track Housing VT1 (For Connector LTX) Black / White

48V LOW VOLTAGE TRACK SYSTEM

KVP-TL01406T1-48V



karjalanvalaistuspalvelu.fi | info@karjalanvalaistuspalvelu.fi | 040 900 6950

	<p>LV26TA-ET1</p>	<p>T1 End Cap ET1</p> <p>Black / White</p>
	<p>HYR-LV26AC-PTX</p>	<p>Power Feed</p> <p>Black / White</p>
	<p>LV26AC-ITX</p>	<p>Straight Connector</p> <p>Black / White</p>
	<p>LV26AC-LTX</p>	<p>Flexible Connector Horizontal or Vertical</p> <p>Black / White</p>
	<p>KGP-S-100V48N</p>	<p>100 W Power Supply (Inside Track) Input: 220-240 VAC Output: DC 48 V + - DALI bus connector D1/D2 Dimension: 297×16×20 mm</p> <p>Black</p>

The information is for your reference only, we reserve the right to make alterations in the interest of improving our products.