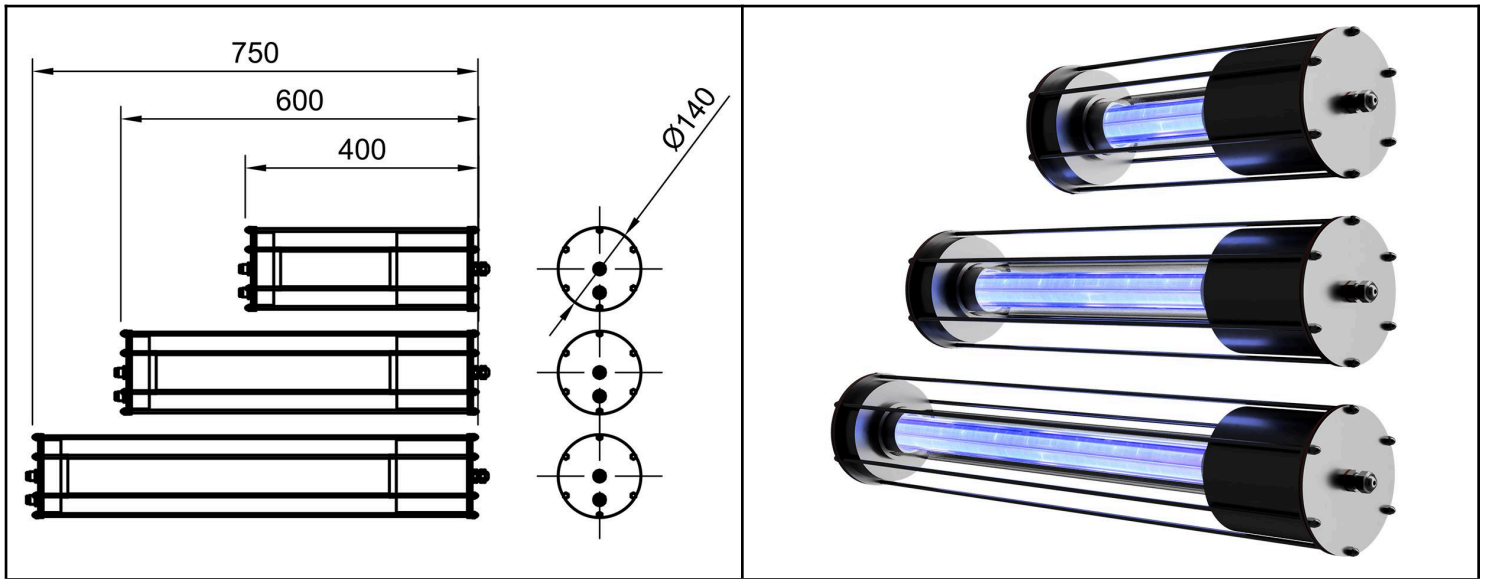


FAR-UVC 222 NM WATERPROOF EXCIMER LAMP

KVP222-G75 | G150 | G250



karjalanvalaistuspalvelu.fi | info@karjalanvalaistuspalvelu.fi | 040 900 6950



GENERAL DATA

Luminaire type	far-UVC 222 nm waterproof lamp
Wavelength	222 nm
Installation	pendant / surface mounting
Lamp material	pure quartz glass
Housing material	stainless steel SS316
IP rating	IP 68 + FEP film
Operating	-10° ~ +50° C
Warranty	2 years

ELECTRICAL DATA

Input volt	AC 220-240 V
Lifespan	>12 000 hrs

The far-UV 222nm waterproof excimer lamp works against virtually all harmful microorganisms in air, steam, moisture and water.

APPLICATIONS

Food production
Poulties
Fish farms
All animal farms
Crop production

FEATURES

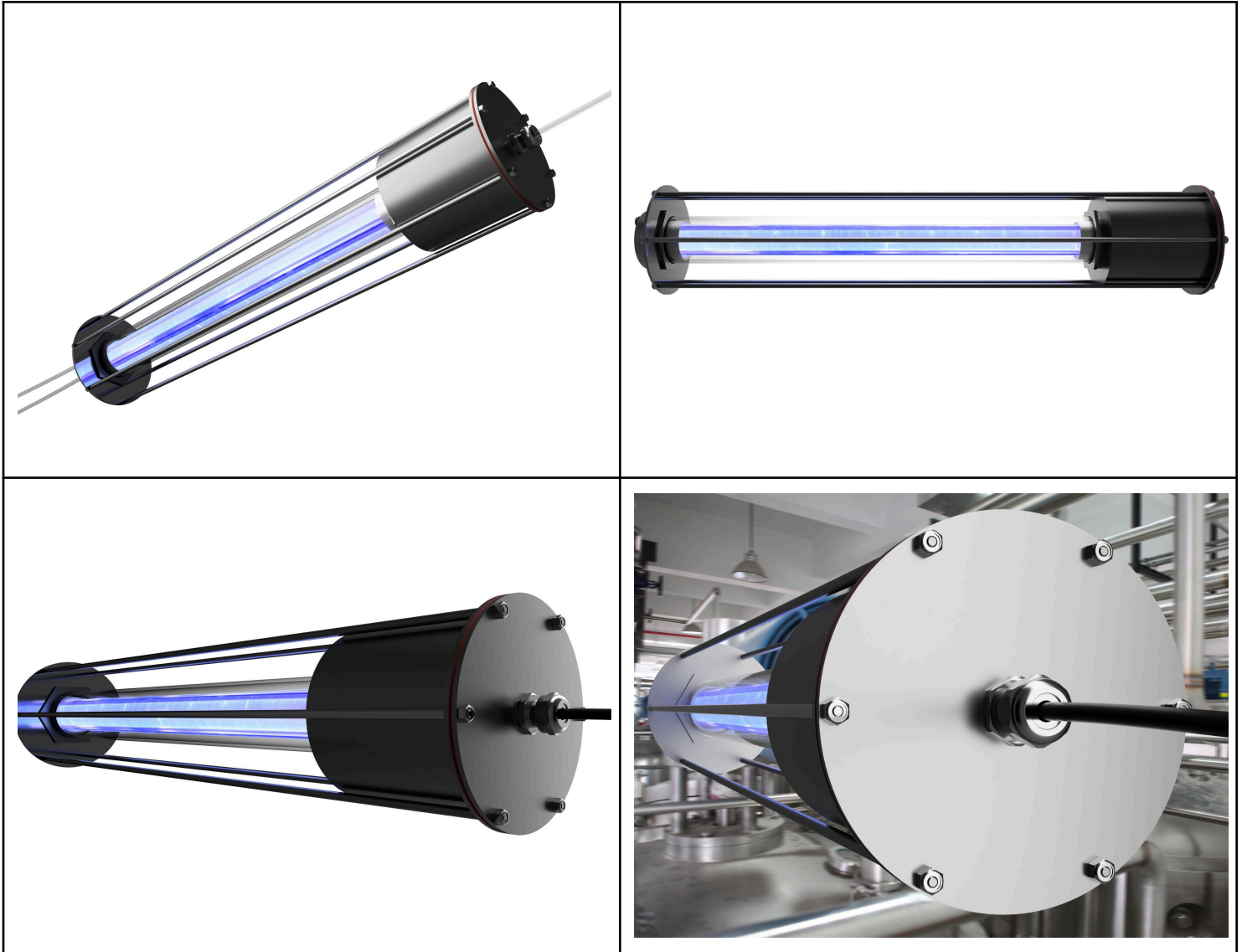
Disinfection of surfaces, air and water
No harm to human skin or eyes
Mercury free
Ozone free (optional)
Stainless steel housing

FAR-UVC 222 NM WATERPROOF EXCIMER LAMP

KVP222-G75 | G150 | G250



karjalanvalaistuspalvelu.fi | info@karjalanvalaistuspalvelu.fi | 040 900 6950



Model	Size	Power
KVP222-G75	400mm x 140mm	75w
KVP222-G150	600mm x 140mm	150w
KVP222-G250	750mm x 140mm	250w

The information is for your reference only, we reserve the right to make alterations in the interest of improving our products.